

NUDURA STANDARD
6" (152mm) FORM
UNIT

BRICK VENEER
c/w 1" (25mm) AIR
SPACE AND BRICK TIES

VERTICAL REINFORCEMENT
AS PER CODE OR
AS SPECIFIED

FLASHING MATERIAL AND
WEEP HOLES INSTALLED
AS PER CODE

#4 (10M) CONT.

GRADE
MINIMUM 2%
SLOPE

3/16" (5mm)
ACRYLIC PARGE COAT
TO MINIMUM OF 6" (152mm)
BELOW GRADE

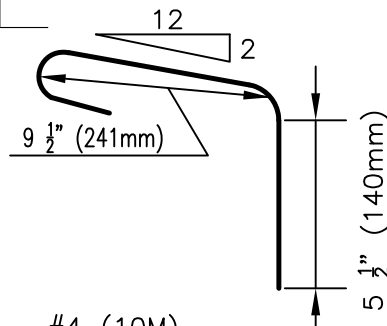
NUDURA
WATERPROOFING MEMBRANE

HORIZONTAL
REINFORCEMENT AS
PER CODE OR AS
SPECIFIED

1/2" (13mm) GYPSUM
BOARD

#4 (10M) BRICK
LEDGE STIRRUP AT 8"
(200mm) o.c.

1 1/2" (43mm)



#4 (10M)
BRICKLEDGE STIRRUP
FROM 20" (509mm)
LENGTH OF BAR

NOTES:

1. MINIMUM CONCRETE COMPRESSIVE STRENGTH AT 28 DAYS 3000 PSI (20 MPa).
2. REINFORCING STEEL SHALL BE HARD GRADE DEFORMED BARS CONFORMING TO CSA G30.12 GRADE 400.
3. WALL REINFORCING SHALL BE IN ACCORDANCE WITH NUDURA INTEGRATED BUILDING SYSTEM, LOCAL CODE OR ENGINEERING DRAWINGS
4. BRICK UNIT WEIGHT: 40LBS/FT² (1.9 KPa) IN VERTICAL PLANE.
5. MAXIMUM WALL HEIGHT: 27' (8.23m) UNLESS ENGINEERED OTHERWISE
6. ASSUME BRICK LAYING IN ACCORDANCE WITH APPLICABLE CODES.

DISCLAIMER NOTICE:
SPECIFIC INFORMATION
REQUIRED FOR COMPLIANCE
WITH LOCAL CODES IS THE
RESPONSIBILITY OF THE
DESIGNER



NUDURA 6" (152mm)
BRICK LEDGE REINFORCEMENT DETAIL
OWSJ FLOOR CONNECTION AT GRADE
BRICK VENEER FINISH
VERTICAL SECTION VIEW

REV. NO.
003 TV
DATE:
APR 2007
DRAWN BY:
T. VAN CLIEAF

DWG NO.
A6B02
SCALE:
1 : 8