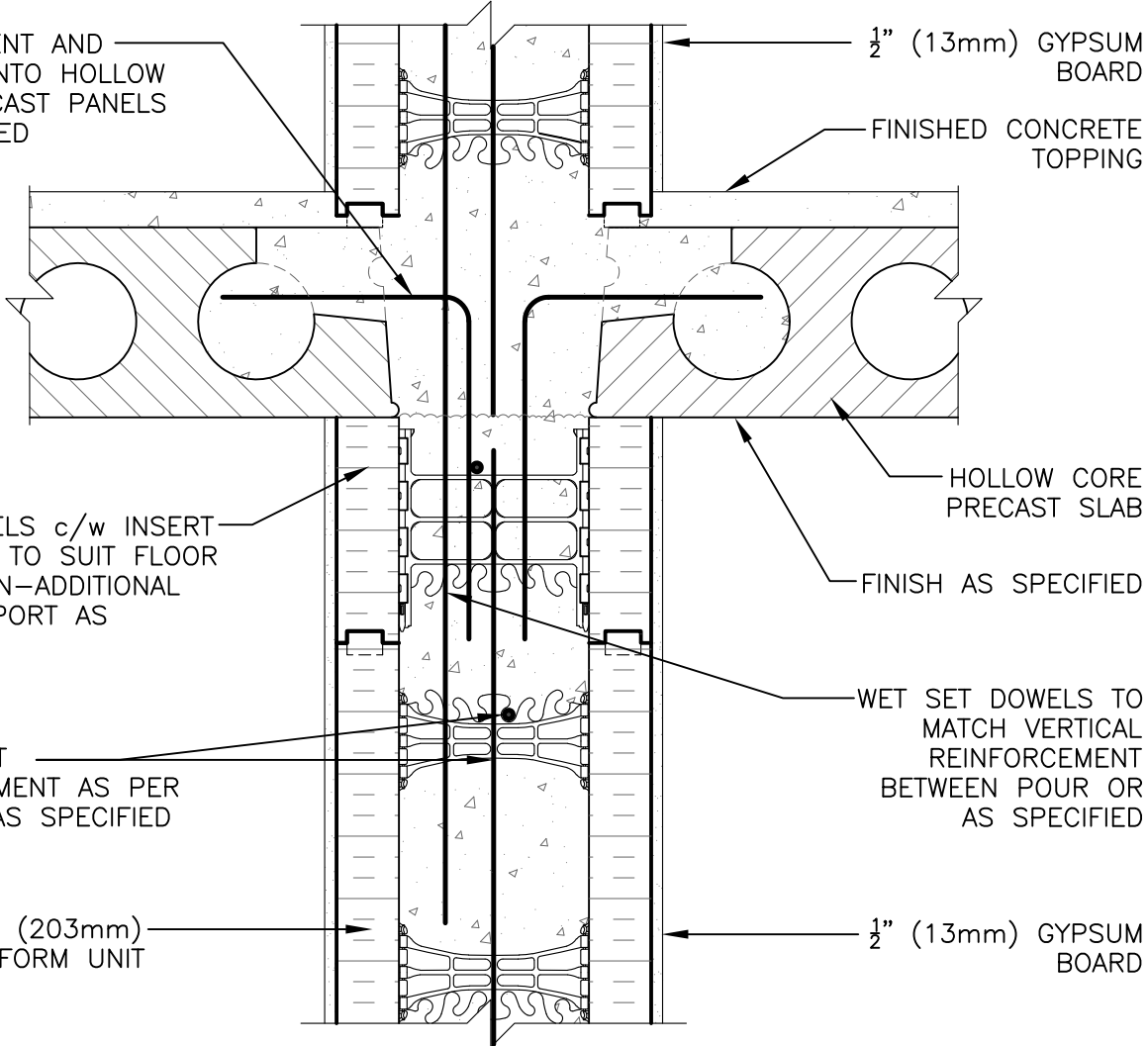


DOWELS BENT AND GROUTED INTO HOLLOW CORE PRECAST PANELS AS SPECIFIED

1/2" (13mm) GYPSUM BOARD

FINISHED CONCRETE TOPPING



FORM PANELS c/w INSERT WEBS—CUT TO SUIT FLOOR CONNECTION—ADDITIONAL FORM SUPPORT AS REQUIRED

HOLLOW CORE PRECAST SLAB

FINISH AS SPECIFIED

HORIZ/VERT REINFORCEMENT AS PER CODE OR AS SPECIFIED

WET SET DOWELS TO MATCH VERTICAL REINFORCEMENT BETWEEN POUR OR AS SPECIFIED

NUDURA 8" (203mm) STANDARD FORM UNIT

1/2" (13mm) GYPSUM BOARD

DISCLAIMER NOTICE:
SPECIFIC INFORMATION
REQUIRED FOR COMPLIANCE
WITH LOCAL CODES IS THE
RESPONSIBILITY OF THE
DESIGNER



NUDURA

INTEGRATED BUILDING TECHNOLOGY

Building Value.

NUDURA 8" (203mm) FORM UNIT
HOLLOW CORE PRECAST SLAB
NON-BEARING DEMISING WALL

REV. NO.
000

DWG NO.

REV. DATE:
APRIL 2010

G8A02

DRAWN BY:
K. STILL

SCALE:
1 : 8