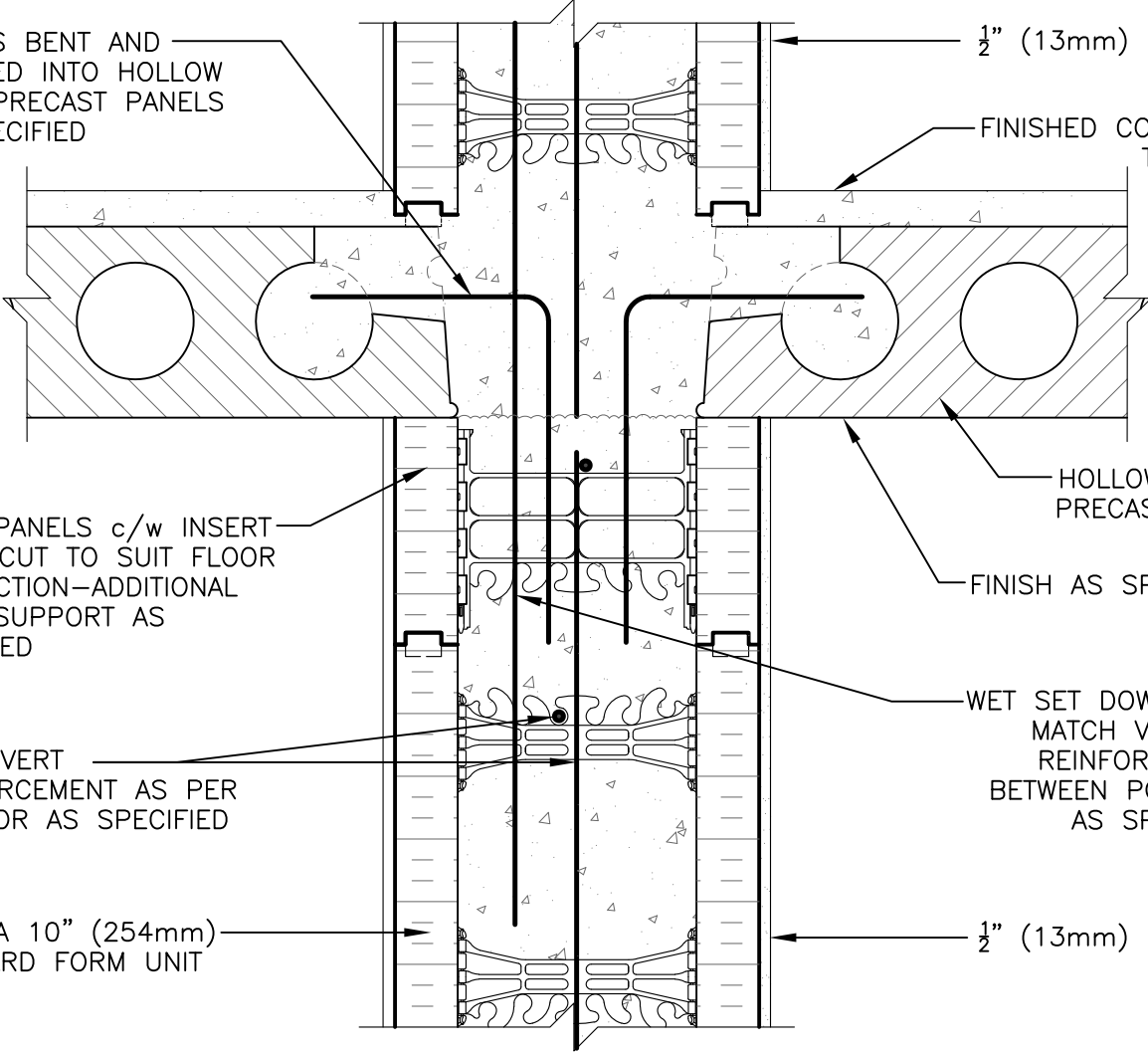


DOWELS BENT AND
GROUTED INTO HOLLOW
CORE PRECAST PANELS
AS SPECIFIED

$\frac{1}{2}$ " (13mm) GYPSUM
BOARD

FINISHED CONCRETE
TOPPING



FORM PANELS c/w INSERT
WEBS-CUT TO SUIT FLOOR
CONNECTION-ADDITIONAL
FORM SUPPORT AS
REQUIRED

HOLLOW CORE
PRECAST SLAB

HORIZ/VERT
REINFORCEMENT AS PER
CODE OR AS SPECIFIED

FINISH AS SPECIFIED

NUDURA 10" (254mm)
STANDARD FORM UNIT

WET SET DOWELS TO
MATCH VERTICAL
REINFORCEMENT
BETWEEN POUR OR
AS SPECIFIED

$\frac{1}{2}$ " (13mm) GYPSUM
BOARD

DISCLAIMER NOTICE:
SPECIFIC INFORMATION
REQUIRED FOR COMPLIANCE
WITH LOCAL CODES IS THE
RESPONSIBILITY OF THE
DESIGNER



NUDURA

INTEGRATED BUILDING TECHNOLOGY

Building Value.

NUDURA 10" (254mm) FORM UNIT
HOLLOW CORE PRECAST SLAB
NON-BEARING DEMISING WALL

REV. NO. 000	DWG NO. G10A02
REV. DATE: APRIL 2010	
DRAWN BY: K. STILL	SCALE: 1 : 8