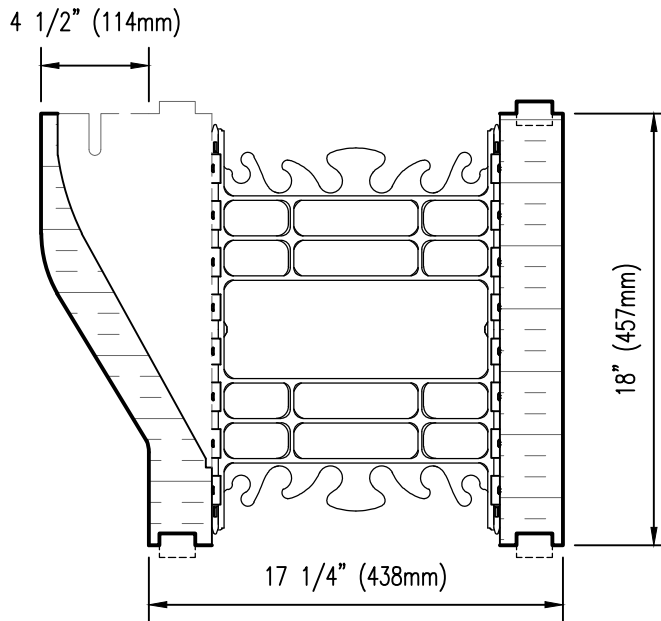
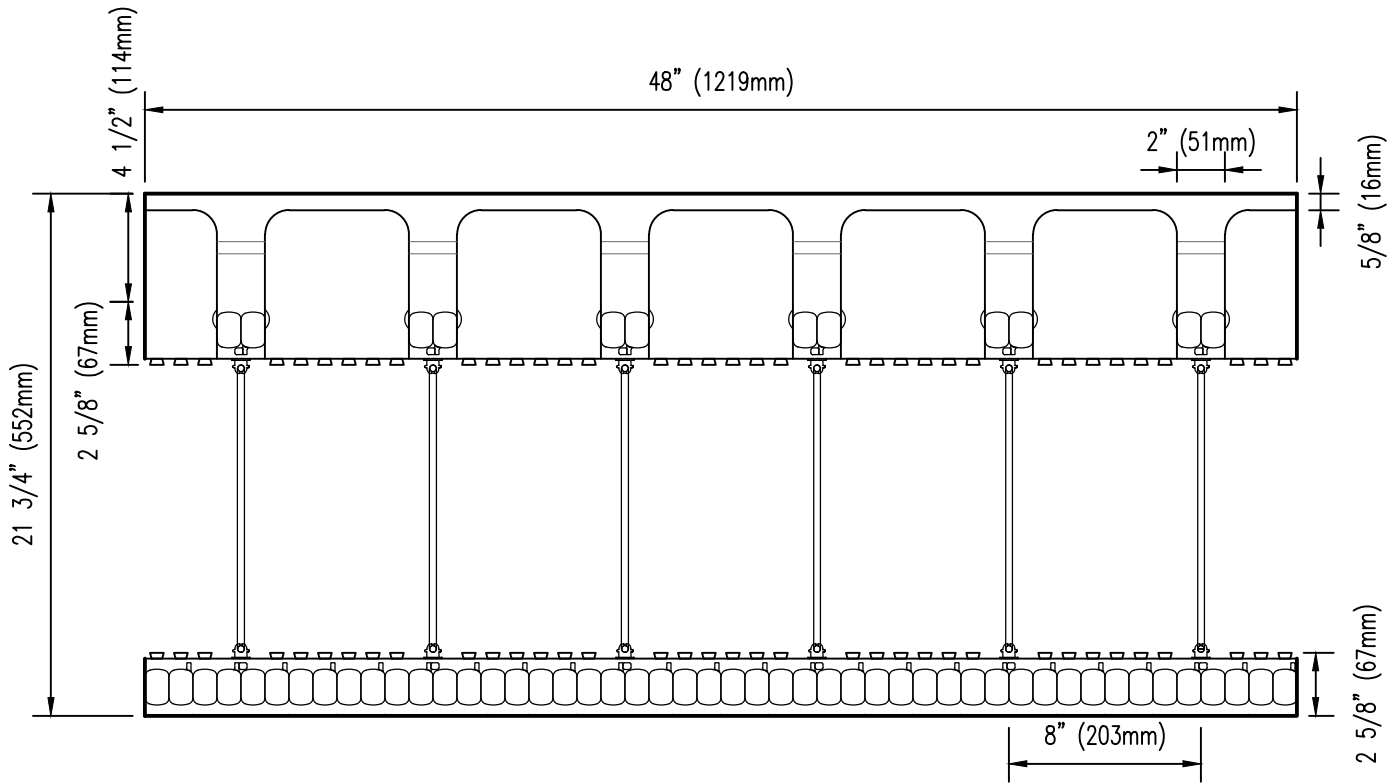


NOTE: PRODUCT LENGTH
 SUBJECT TO REGIONAL
 AVAILABILITY IN 4' (1219mm)
 OR 8' (2438mm) LENGTHS



DISCLAIMER NOTICE:
 SPECIFIC INFORMATION
 REQUIRED FOR COMPLIANCE
 WITH LOCAL CODES IS THE
 RESPONSIBILITY OF THE
 DESIGNER



NUDURA

INTEGRATED BUILDING TECHNOLOGY

Building Value.

NUDURA 12" (305mm)
 ONE SIDED BRICK LEDGE
 FORM UNIT

REV. NO.
003 KS
 DATE:
DEC 2015
 DRAWN BY:
T. VAN CLIEAF

DWG NO.
A12A06
 SCALE:
1 : 8