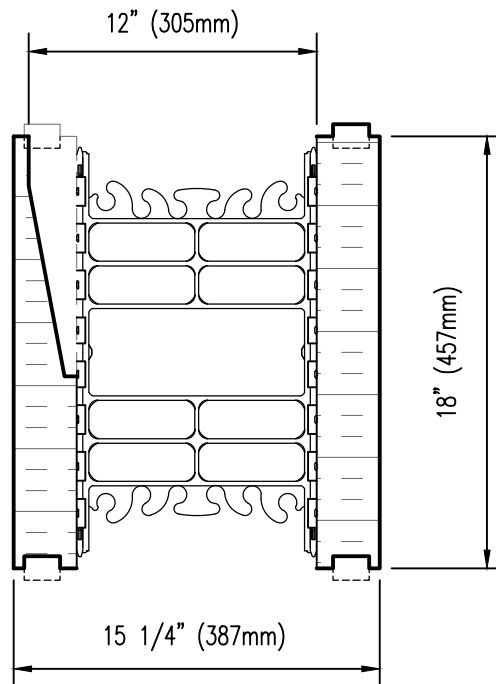
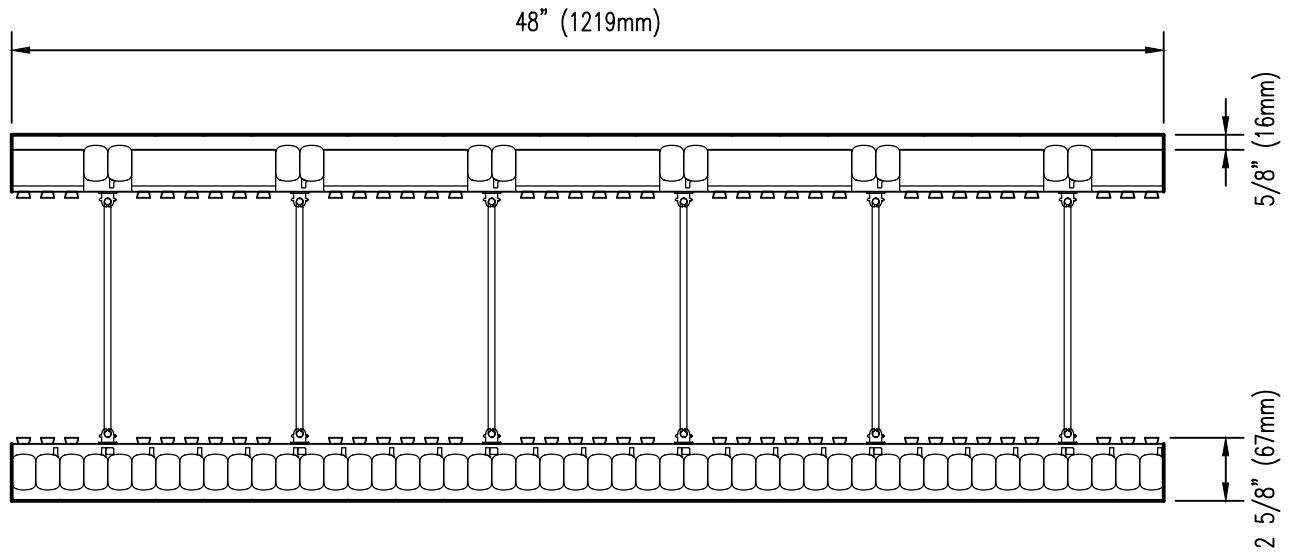


NOTE: PRODUCT LENGTH
 SUBJECT TO REGIONAL
 AVAILABILITY IN 4' (1219mm)
 OR 8' (2438mm) LENGTHS



DISCLAIMER NOTICE:
 SPECIFIC INFORMATION
 REQUIRED FOR COMPLIANCE
 WITH LOCAL CODES IS THE
 RESPONSIBILITY OF THE
 DESIGNER



NUDURA

INTEGRATED BUILDING TECHNOLOGY

Building Value.

NUDURA 10" (254mm)
 ONE SIDED TAPER TOP
 FORM UNIT

REV. NO.
003 KS
 REV. DATE:
MARCH 2014
 DRAWN BY:
T. VAN CLIEAF

DWG NO.
A10A04
 SCALE:
1 : 8