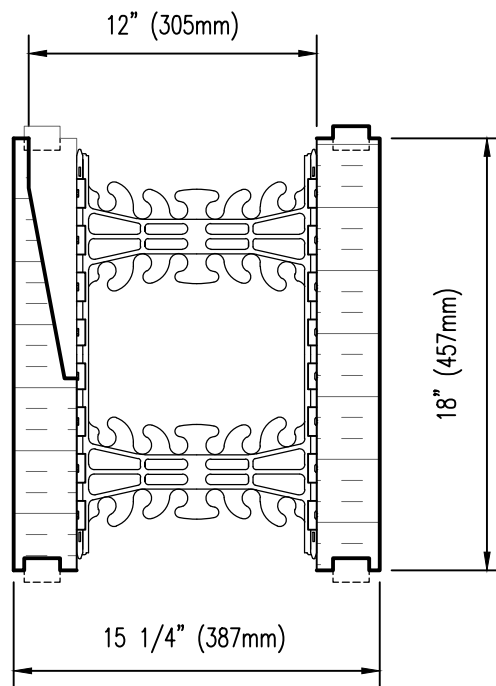
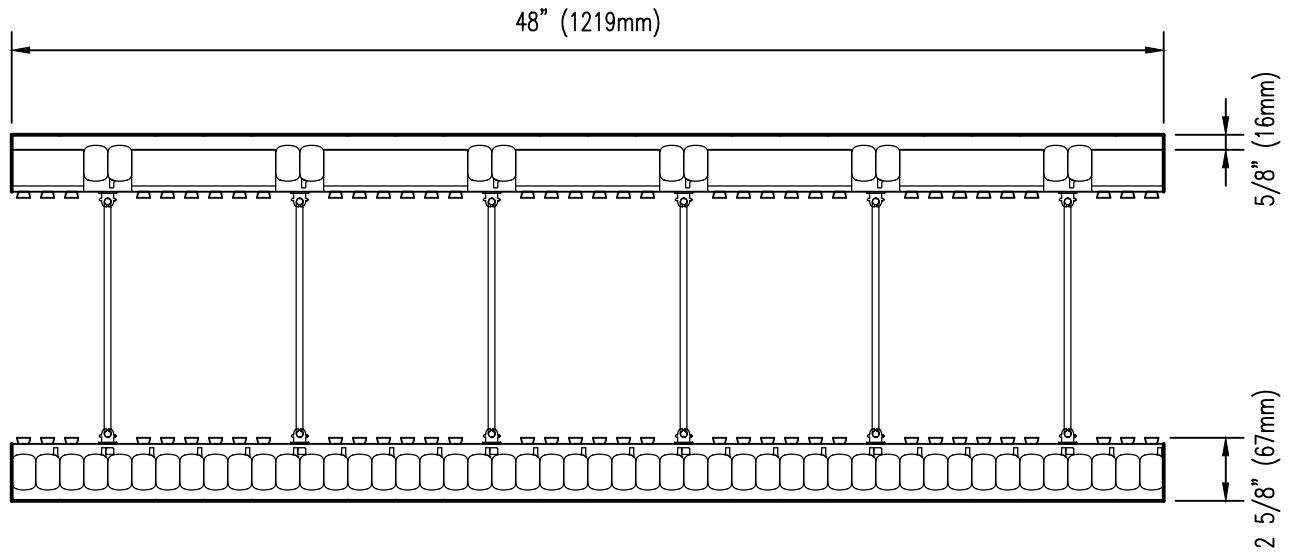


NOTE: PRODUCT LENGTH  
 SUBJECT TO REGIONAL  
 AVAILABILITY IN 4' (1219mm)  
 OR 8' (2438mm) LENGTHS



**DISCLAIMER NOTICE:**  
 SPECIFIC INFORMATION  
 REQUIRED FOR COMPLIANCE  
 WITH LOCAL CODES IS THE  
 RESPONSIBILITY OF THE  
 DESIGNER



**NUDURA**

**INTEGRATED BUILDING TECHNOLOGY**

*Building Value.*

NUDURA 10" (254mm)  
 ONE SIDED TAPER TOP  
 FORM UNIT

REV. NO.  
002 KS  
 REV. DATE:  
JULY 2011  
 DRAWN BY:  
T. VAN CLIEAF

DWG NO.  
A10A04  
 SCALE:  
1 : 8